



**SHIRKE**  
ELECTRO PVT.LTD.

SWITCH TO **RELIABILITY**



## ROTARY AUXILIARY CAM SWITCHES

Rotary auxiliary cam switches are modular in design and are versatile for switching a.c.as well as low voltage d.c. resistive and inductive loads. They are used as auxiliary contacts in equipments such as MV and HV Vacuum Circuit Breakers, Gas Circuit Breakers, Isolators and various equipments wherein it is linked mechanically to the equipment and follows the position as per the linkage. In most cases a straight motion of main contacts is converted into rotational movement through links and levers. These switches offer advantage of having unlimited combinations of switching angles and indexing angles.



Cams used for contacting make them suitable for switching in various programmable combinations.

Modular design to achieve any number of poles with minimum components.

Silver Alloy contacts used have a very high durability & endurance.

Superior insulating material ensures electrical & mechanical stability.

A double break contact ensures positive making & breaking.

Available in various mounting arrangements and levers.

# ROTARY AUXILIARY CAM SWITCHES

## Construction



Rotary auxiliary cam switches are modular in design with contact housing stacked with indexing mechanism. A central steel shaft rotates the cams which drive the contacts to unlimited combinations of contact programme. The housing is made of engineering thermoplastic material, each housing consists of two sets of contacts. The contacts are mechanically opened & closed using springs that provide force to achieve desirable contact pressure.

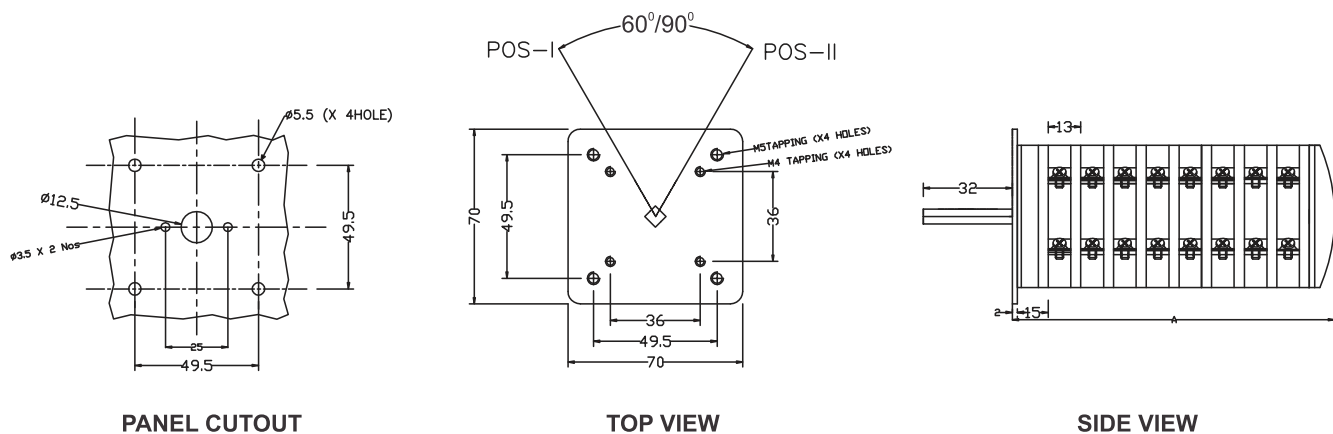
## Accessories

- Lever can be provided along with the switches as per requirement.
- Mounting arrangements can be suitably custom made.
- Lost motion contacts can be cascaded.

## Specifications

Conventional free air thermal current (Ith)	10A	16A	20A	25A	32A
Rated operational voltage (Ue) a.c.	440 V	440 V	440 V	440 V	440 V
Rated operational current (Ie) a.c.	10A	16A	20A	25A	32A
Rated operational current (Ie) d.c.	1A	1A	1A	2A	2A
Utilization category	AC - 23A, DC -13A	AC - 23A, DC -13A	AC - 23A, DC -13A	AC - 23A, DC -13A	AC - 23A, DC -13A
Dielectric strength	2.5 kV	2.5 kV	2.5 kV	2.5 kV	2.5 kV
Rated impulse withstand voltage (Uimp)	2.5 kV	2.5 kV	2.5 kV	3 kV	3 kV
Insulation resistance	≥ 500 MΩ	≥ 500 MΩ	≥ 500 MΩ	≥ 500 MΩ	≥ 500 MΩ
Standard mounting 2 Hole (mm)	M3 - 25 CTC	M3 - 25 CTC	M3 - 25 CTC	-	-
Standard mounting 4 Hole (mm)	M4 - 36 CTC	M4 - 36 CTC	M4 - 36 CTC	M5 - 49.5 CTC	M5 - 49.5 CTC
Mechanical life (Operations)	3,00,000	3,00,000	3,00,000	3,00,000	3,00,000
Electrical life (Operations)	1,00,000	1,00,000	1,00,000	1,00,000	1,00,000
Conforms to standard IS / IEC - 60947- 3					

TYPE	A (32A)
3NO/NC	62 mm
4NO/NC	75 mm
5NO/NC	88 mm
6NO/NC	101 mm
7NO/NC	115 mm
8NO/NC	127 mm



**Corporate office & Plant I**  
L-25 MIDC Ambad, Nashik,  
Maharashtra, India, 422010  
Ph.: +91 253 6619372, 2384672

**Plant II**  
W 72A, MIDC, Ambad, Nashik  
Maharashtra, India, 422010  
Ph.: +91 253 6600372

sales@shirkeswitch.net  
www.shirkeswitch.net